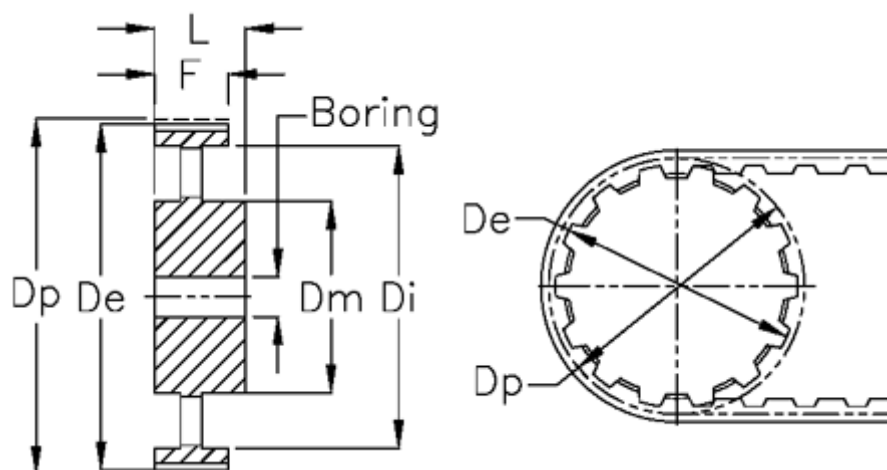


Data Sheet



Article number: 604144144020
Description: Timing belt pulley with hub
HTD 144 8M 20

Measures



Bore	= 20	Type	= 8M
D_e	= 365.32	Weight	= 7.5
D_i	= 336	Width	= 20
D_m	= 90		
D_p	= 366.69		
F	= 28		
L	= 38		
Tooth number	= 144		